

Wanjet S55 Spray Robots

Wanjet S55 is our second generation of spray robots for use in greenhouses where a pipe rail system is installed. The unit is only 30 cm wide and weighs less than 200 kg, equipment included.

- The Wanjet S55 is very easy to move between each path and between different greenhouses.
- Wanjet S55 treats large areas fast; the capacity is up to 4700 m²/h!
- Wanjet S55 can be programmed to treat only parts of the paths.
- All models have hose reels with linear guides and capacity for a hose length up to 180 m!
- A compact design and a low weight
- Easy cleaning and maintenance
- Made of materials with very high resistance against corrosion
- Possible to equip with a large assortment of WANJET spray booms and accessories to fit your special requirements.
- Prepared with software for the use of cleaning equipment. Gutter cleaner, ceiling cleaner, and foam injector with an extra air hose reel are optional accessories.
- User-friendly interface for the operator. It goes very quickly to learn a new operator to handle the machine.
- Wanjet S55 gives improved coverage of the plant compared with manual spraying. At the same time, labor costs are reduced and labor conditions are improved due to reduced exposure to chemicals.



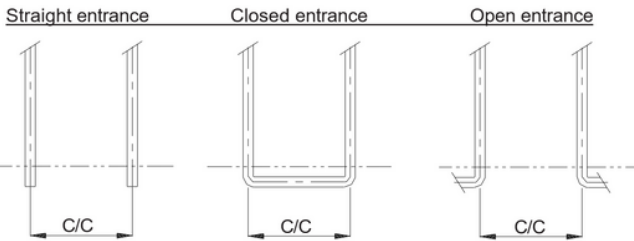
Technical Data

L x W x H	135 x 30 x 160 cm
Weight (equipment excl.)	165 kg
Motor	200 Watt (1,21 W/kg)
Battery capacity	24 VDC, 65 Ah (for ca. 8 hours, 0,4 Ah/kg)
Speed S55	20-80 mtr /min with digital speed regulation
Hose reel	With hose guiding
Hose reel capacity	180 m 3/8"
Maximum working pressure	100 bar
Filter integrated	yes
Pipe rail width	38 – 100 cm

How to combine the possibilities in the WANJET S-series

Wheel equipment

The machines can be delivered with flange wheels for pipe rail widths between c/c 38-100 cm. The system can be delivered with settings for straight, closed, and open pipe rail entrances.



Spraying equipment for S-series

There are a number of different main spraybooms with pressure gauges and swivels for the turning function available.

A wide range of sprayboom extensions is available to optimize the spray result and the functionality of the system.

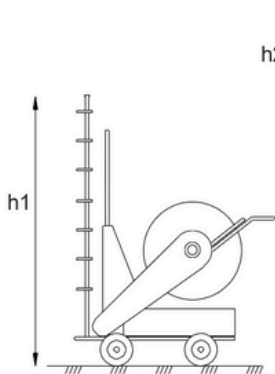
The extensions can be fixed, manually operated (to be bent 90 degrees), or automatically operated.

The nozzle holders are equipped with conical cheramical nozzles. It is possible to adjust the angle of each nozzle. The shut-off function is integrated and simply carried out by turning the nozzle holder head in the spray direction.

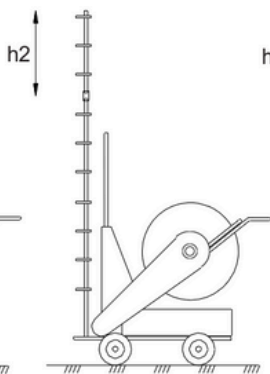


Spray booms

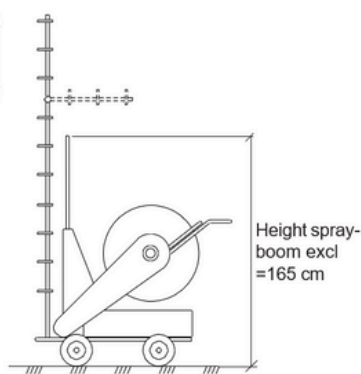
Main



Fixed extension



Manual & Automatic extension



h1 (cm)	no nozzles	Art No
190	7	3411

h2 (cm)	no nozzles	Art No
12,5	1	5412-05
25	1	5412-1
50	2	5412-2
75	3	5412-3
100	4	5412-4
125	5	5412-5
150	6	5412-6
175	7	5412-7
200	8	5412-8
225	9	5412-9

h3 (cm)	no nozzles	Manual	Automatic
25	1	5408-1	5417-1
50	2	5408-2	5417-2
75	3	5408-3	
100	4	5408-4	
125	5	5408-5	
150	6	5408-6	
175	7	5408-7	
200	8	5408-8	



Wanjet S55 can work fully automatically in combination with Wanjet T1